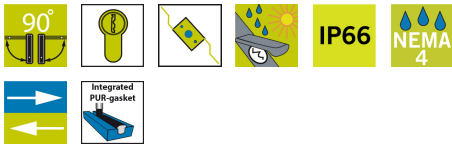


# VISION SWING HANDLE RC2 FOR PROFILE CYLINDER



Low profile swing handle used for latching systems with a control mechanism and flat rods. Approved according to the anti-vandal classification RC2. Optional saw protection available for protection beyond RC2 requirements.

It is used with a 40 mm profile cylinder (ordered separately). Equipped with sliding dust cover and sealed to IP66.

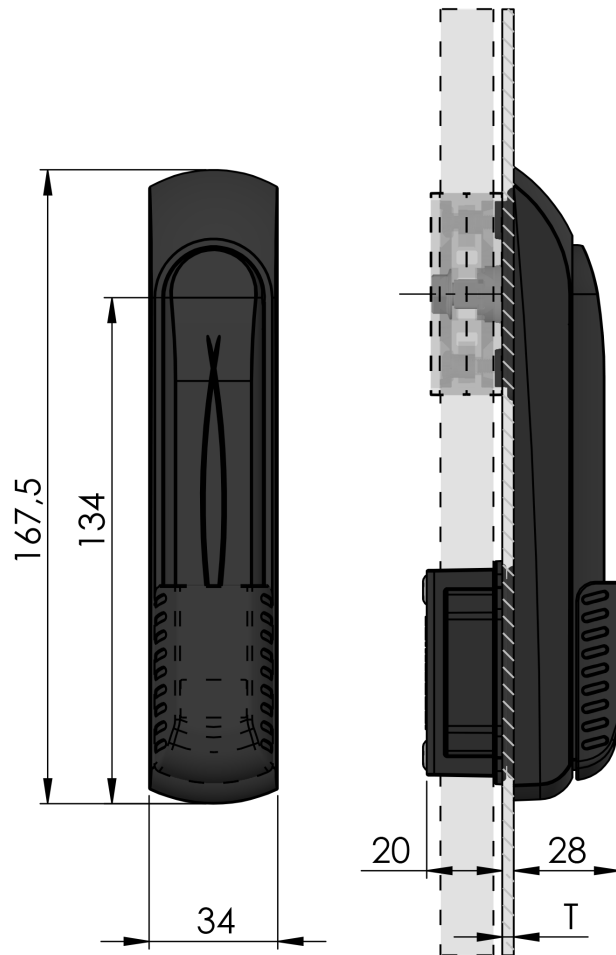


**MATERIAL**

- Dish:** Zinc die cast, black coated
- Handle:** Zinc die cast, black coated
- Pivot shaft:** Stainless steel 316
- Dust cover:** Glass fibre reinforced polyamide (PA6GF30)
- O-ring:** NBR

**RELATED PRODUCTS**

- Cylinders:** 1-210, 1-211
- Similar products:** 1-004.14
- Use the Index Code at [industrilas.com](http://industrilas.com)



**Make your selections in each column to create your article number (AAAA-BBCCDE-FF)**

AAAA Type	BB Insert / Cylinder	CC Material / Surface treatment	D Protection degree	E Door thickness	FF Burglar protection
1540 Handle for control mechanism	83 For profile cylinder	16 Zinc die cast, black texture powder coated	5 IP66	1 0,8 - 1,5 mm	01 RC2 02 RC2 + saw protection
		26 Zinc die cast, black texture powder coated, Highlander		2 1,6 - 2,5 mm	
				3 2,6 - 3,5 mm	

Version C

